

## Warewashing Small Single Skin GW, rinse aid dispenser, 30b/h

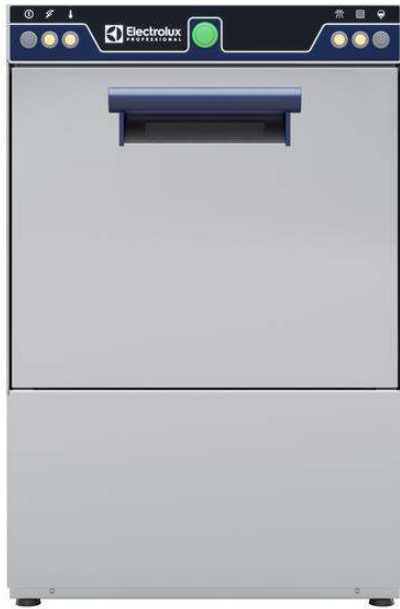
ITEM # \_\_\_\_\_

MODEL # \_\_\_\_\_

NAME # \_\_\_\_\_

SIS # \_\_\_\_\_

AIA # \_\_\_\_\_


**402288 (ES)**

Glasswasher (small), with single skin and rinse aid dispenser, 1 cycle, 30b/h

### Short Form Specification

**Item No.** \_\_\_\_\_

Unit shall be Glasswasher type hot water rinsing using rack dimension of 400\*400mm. Electrical characteristics to be 230 volts single phase 50Hz operation with one wash cycle of 120 seconds. Washing performance is ensured by a powerful wash pump and revolving washing spray arm on bottom. Upper rinsing and lower integrated washing & rinsing arms in composite material. Rinse temperature and pressure guaranteed by built in pressure boiler. Double skinned counter-balance door. Large door opening of 290mm for washing tall glasses. Single skinned cabinet. Welded washing tank with round corners. 304 stainless steel construction to include door & frame. The unit shall include rinse aid dispenser pump is equipped with electric cable with Schuko plug.

### Main Features

- Built-in rinse aid dispenser with automatic initial and continuous cycle loading for perfect result while minimizing service and maintenance needs.
- 120 seconds cycle.
- Built-in pressure boiler designed to raise incoming water to a guaranteed minimum temperature of 82° C for sanitizing rinse. No external boiler is required.
- Maximum capacity of 30 racks per hour.
- Equipped with single phase electrical cable and Schuko plug for easy and fast installation.
- Easy service access to main components without moving the unit.
- Washing system endowed with rotating washing arms, high powered wash pump and large capacity wash tank for professional washing.
- Welded wash tank, sloped towards the drain, provides fast drainage in only a few minutes and guarantee a water tight solution.

### Construction

- Completely closed on the back by a cover plate.
- Unit to feature rinse aid dispenser pump.
- Internal components (arms and filter) are easy extractable.
- Robust structure thanks to stainless steel construction.

### Sustainability



- Simple operation control panel.
- Insulated double skin door construction preserves heat inside the tank to lower energy consumption and the noise. Counter-balance mechanism minimizes impact when opening and closing.
- Finished in top quality materials to ensure durability.

**APPROVAL:** \_\_\_\_\_

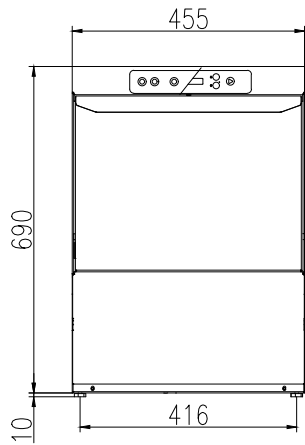
**Included Accessories**

- 1 of Square basket for glasses 400x400x150mm PNC 864470
- 1 of Insert for 12 saucers, 290X90x75mm PNC 867048
- 1 of Square cutlery container, 89x113x113mm PNC 867049

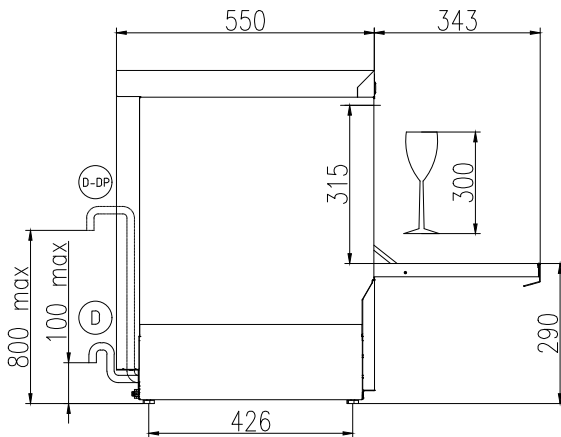
**Optional Accessories**

- Square basket for glasses, 400x400x1100mm PNC 867039
- Inclination insert for glasses, 400x180mm PNC 867044
- Round basket for glasses, 400x180mm PNC 867047
- Inclination insert for glasses 400x400 mm PNC 867069
- Kit detergent dispenser for Single Skin XS and Single Skin S Glasswasher PNC 867072

Front

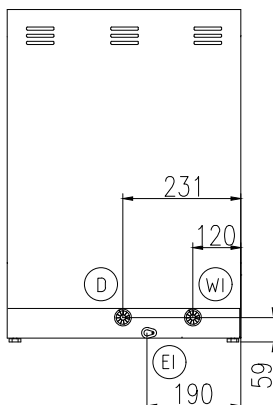


Side



- CWII = Cold Water inlet 1 (cleaning)
- D = Drain
- EI = Electrical inlet (power)
- EO = Electrical Outlet
- WI = Water inlet
- XR = Rinse aid connection

Rear side



### Electric

<b>Supply voltage:</b>	
402288 (ES)	220-240 V/1 ph/50 Hz
<b>Default Installed Power:</b>	2.7 kW
<b>Boiler heating elements:</b>	2.7 kW
<b>Tank heating elements:</b>	2.4 kW
<b>Wash pump size:</b>	0.2 kW

### Water:

<b>Pressure, bar min/max:</b>	2-5 bar
<b>Drain line size:</b>	29mm
<b>Washing tank capacity (lt):</b>	12
<b>Boiler Capacity (lt):</b>	3
<b>Incoming water line size:</b>	3/4"

### Key Information:

<b>Baskets per hour*:</b>	30
<b>Working cycles time (sec.):</b>	120
<b>Wash temperature:</b>	60°C
<b>Cell dimensions - width:</b>	405 mm
<b>Cell dimensions - depth:</b>	437 mm
<b>Cell dimensions - height:</b>	315 mm
<b>Rinse temperature:</b>	85 °C
<b>External dimensions, Width:</b>	455 mm
<b>External dimensions, Depth:</b>	550 mm
<b>External dimensions, Height:</b>	700 mm
<b>Net weight:</b>	36.5 kg
<b>Shipping weight:</b>	41 kg
<b>Shipping height:</b>	850 mm
<b>Shipping width:</b>	540 mm
<b>Shipping depth:</b>	630 mm
<b>Shipping volume:</b>	0.29 m <sup>3</sup>

### Sustainability

<b>Water supply temperature*:</b>	10-50 °C
<b>Water consumption per cycle (lt):</b>	2
<b>Noise level:</b>	61 dBA